

SCR Controllers

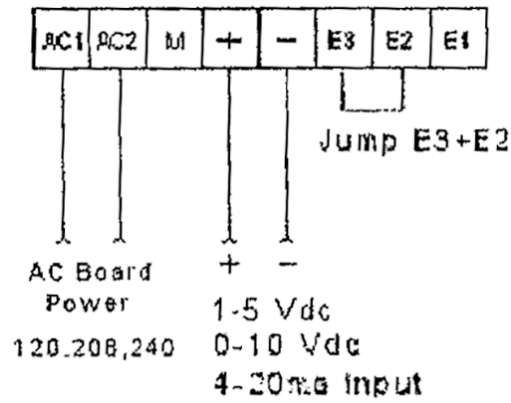
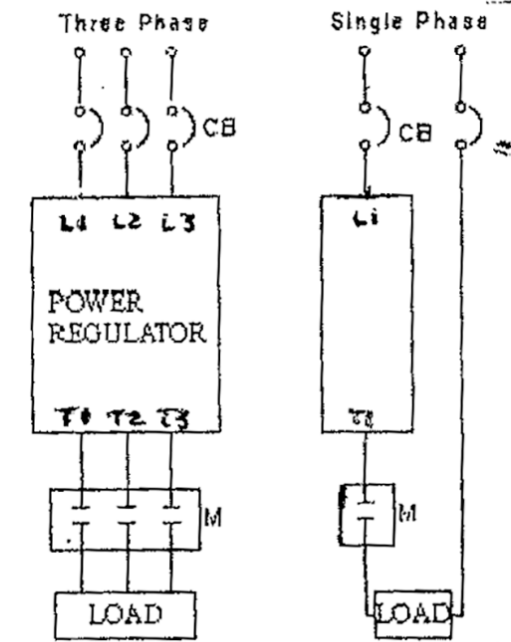
75 - 100AMP

1 Phase



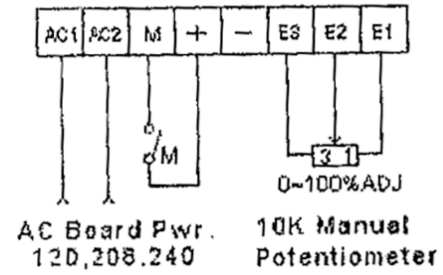
PS, PSH, PSX, ZT, ZS Series

Clark Power Systems Inc.



Connection Notes:

- 1) 4-20ma = 250 ohms
(unit has internal resistor built in)
- ** Board jumper position = P1 to S1
- 2) Manual Pot, 0-5Vdc = 30K ohm
- ** Board jumper position = P1 to S2
- 3) 2-10Vdc, 0-10Vdc = 12K ohms
- ** Board jumper position = P1 to S3



*For Line Run-Jump "M to +"
and remove the M Contactor

ZT Series

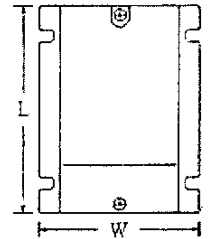
Part Numbers, Standard Sizes, Prices and Dimensions:

Description- 3Phase-2Leg, Zero Fired Control

NOTE this unit runs at near 100% power factor, Low Harmonics.

Application-Time Proportioned Voltage Control of Constant Resistance Loads.

Call us today @ 203-775-8444



Model Number	Full Load Amps	KVA @ Max Rated Volts	Open Chassis Dimensions (In inches)			Price
			Length	Width	Depth	
240 Vac Input, 0-238 Vac Output, 50/60 Hz (ALSO FOR 208/220/230 VAC INPUT)						
ZT-2-20	20	8	6.5	4	5.5	\$299
ZT-2-30	30	12	6.5	4	5.5	\$325
ZT-2-50	50	20	6.5	4	5.5	\$399
ZT-2-75	75	30	7.5	4.5	7.5	\$459
ZT-2-100	100	40	7.5	4.5	7.5	\$749
ZT-2-125	125	50	11	4.5	7.5	\$869
ZT-2-150	150	60	13	5.5	8	\$***
ZT-2-180	180	72	15	5.5	8	\$***
ZT-2-225	225	92	13	6	11	\$***
ZT-2-300	300	120	16	6	11	\$***
ZT-2-400	400	160	16	6	11	\$***
ZT-2-500	500	205	16	11	10	\$***
ZT-2-600	600	245	18	11	10	\$***
ZT-2-750	750	310	22	11	10	\$***
480 Vac Input, 0-478 Vac Output, 50/60 Hz (ALSO FOR 380/415/440VAC INPUT)						
ZT-4-20	20	16	6.5	4	5.5	\$325
ZT-4-30	30	24	6.5	4	5.5	\$375
ZT-4-50	50	40	6.5	4	5.5	\$399
ZT-4-75	75	60	7.5	4.5	7.5	\$499
ZT-4-100	100	80	7.5	4.5	7.5	\$799
ZT-4-125	125	100	11	4.5	7.5	\$899
ZT-4-150	150	120	13	5.5	8.0	\$***
ZT-4-180	180	140	15	5.5	8.0	\$***
ZT-4-225	225	180	13	6.0	11	\$***
ZT-4-300	300	240	16	6.0	11	\$***
ZT-4-400	400	310	16	6.0	11	\$***
ZT-4-500	500	400	16	11	10	\$***
ZT-4-600	600	480	18	11	10	\$***
ZT-4-750	750	600	22	11	10	\$***
*600 Vac Input, 0-595 Vac Output, 50/60 Hz *(ALSO FOR 575/590/600VAC INPUT)						
ZT-6-20	20	19	6.5	4	5.5	\$449
ZT-6-30	30	28	6.5	4	5.5	\$499
ZT-6-50	50	48	7.5	4.5	7.5	\$599
ZT-6-75	75	73	7.5	4.5	7.5	\$699
ZT-6-100	100	98	7.5	4.5	7.5	\$899
ZT-6-125	125	120	11	4.5	7.5	\$1199
ZT-6-150	150	145	13	5.5	8.0	\$***
ZT-6-180	180	180	15	5.5	8.0	\$***
ZT-6-225	225	225	13	6.0	11	\$***
ZT-6-300	300	300	16	6.0	11	\$***
ZT-6-400	400	400	16	6.0	11	\$***
ZT-6-500	500	510	16	11	10	\$***
ZT-6-600	600	600	18	11	10	\$***
ZT-6-750	750	745	22	11	10	\$***

***Call us for Current Pricing. Add Options to the above models: Zero Soft Start time (Standard is 2S). Incoming Main Line L2 & L3 are fuse protected. All external required parts are customer provided. Non Standard units can be provided. We can build units from 24 to 1000Vac and up to 5,000 Amps.

1 Year Warranty on all standard units listed above. Controllers are only CE listed on some select models. See our web page warranty policy

Also provided are frequencies up to 400 Hz. All prices listed, ratings, dimensions and warranty policy can change without notice.

ZT Series

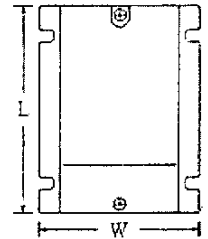
Part Numbers, Standard Sizes, Prices and Dimensions:

Description- 3Phase-2Leg, Zero Fired Control

NOTE this unit runs at near 100% power factor, Low Harmonics.

Application-Time Proportioned Voltage Control of Constant Resistance Loads.

Call us today @ 203-775-8444



Model Number	Full Load Amps	KVA @ Max Rated Volts	Open Chassis Dimensions (In inches)			Price
			Length	Width	Depth	
240 Vac Input, 0-238 Vac Output, 50/60 Hz (ALSO FOR 208/220/230 VAC INPUT)						
ZT-2-20	20	8	6.5	4	5.5	\$299
ZT-2-30	30	12	6.5	4	5.5	\$325
ZT-2-50	50	20	6.5	4	5.5	\$399
ZT-2-75	75	30	7.5	4.5	7.5	\$459
ZT-2-100	100	40	7.5	4.5	7.5	\$749
ZT-2-125	125	50	11	4.5	7.5	\$869
ZT-2-150	150	60	13	5.5	8	\$***
ZT-2-180	180	72	15	5.5	8	\$***
ZT-2-225	225	92	13	6	11	\$***
ZT-2-300	300	120	16	6	11	\$***
ZT-2-400	400	160	16	6	11	\$***
ZT-2-500	500	205	16	11	10	\$***
ZT-2-600	600	245	18	11	10	\$***
ZT-2-750	750	310	22	11	10	\$***
480 Vac Input, 0-478 Vac Output, 50/60 Hz (ALSO FOR 380/415/440VAC INPUT)						
ZT-4-20	20	16	6.5	4	5.5	\$325
ZT-4-30	30	24	6.5	4	5.5	\$375
ZT-4-50	50	40	6.5	4	5.5	\$399
ZT-4-75	75	60	7.5	4.5	7.5	\$499
ZT-4-100	100	80	7.5	4.5	7.5	\$799
ZT-4-125	125	100	11	4.5	7.5	\$899
ZT-4-150	150	120	13	5.5	8.0	\$***
ZT-4-180	180	140	15	5.5	8.0	\$***
ZT-4-225	225	180	13	6.0	11	\$***
ZT-4-300	300	240	16	6.0	11	\$***
ZT-4-400	400	310	16	6.0	11	\$***
ZT-4-500	500	400	16	11	10	\$***
ZT-4-600	600	480	18	11	10	\$***
ZT-4-750	750	600	22	11	10	\$***
*600 Vac Input, 0-595 Vac Output, 50/60 Hz *(ALSO FOR 575/590/600VAC INPUT)						
ZT-6-20	20	19	6.5	4	5.5	\$449
ZT-6-30	30	28	6.5	4	5.5	\$499
ZT-6-50	50	48	7.5	4.5	7.5	\$599
ZT-6-75	75	73	7.5	4.5	7.5	\$699
ZT-6-100	100	98	7.5	4.5	7.5	\$899
ZT-6-125	125	120	11	4.5	7.5	\$1199
ZT-6-150	150	145	13	5.5	8.0	\$***
ZT-6-180	180	180	15	5.5	8.0	\$***
ZT-6-225	225	225	13	6.0	11	\$***
ZT-6-300	300	300	16	6.0	11	\$***
ZT-6-400	400	400	16	6.0	11	\$***
ZT-6-500	500	510	16	11	10	\$***
ZT-6-600	600	600	18	11	10	\$***
ZT-6-750	750	745	22	11	10	\$***

***Call us for Current Pricing. Add Options to the above models: Zero Soft Start time (Standard is 2S). Incoming Main Line L2 & L3 are fuse protected. All external required parts are customer provided. Non Standard units can be provided. We can build units from 24 to 1000Vac and up to 5,000 Amps.

1 Year Warranty on all standard units listed above. Controllers are only CE listed on some select models. See our web page warranty policy

Also provided are frequencies up to 400 Hz. All prices listed, ratings, dimensions and warranty policy can change without notice.