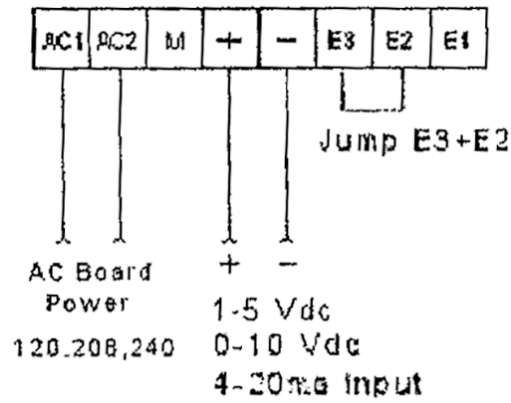
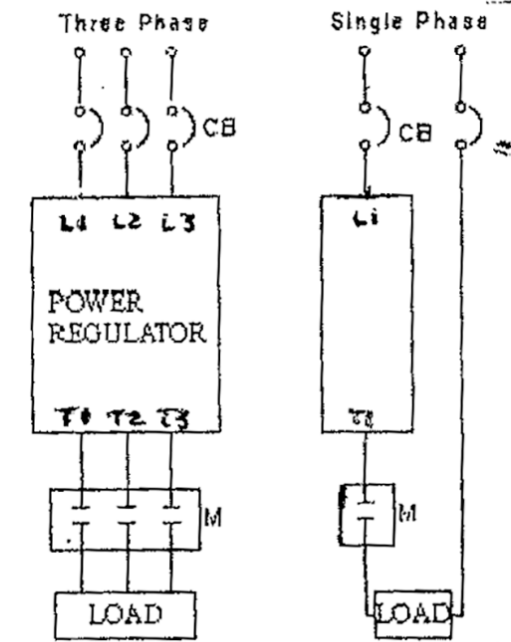


SCR Controllers
125 - 180AMP
3 Phase

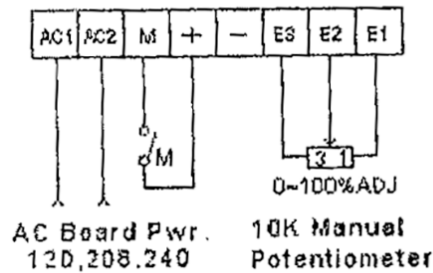


PT, PTH, PTX, ZZT Series
Clark Power Systems Inc.



Connection Notes:

- 1) 4-20ma = 250 ohms
(unit has internal resistor built in)
- ** Board jumper position = P1 to S1
- 2) Manual Pot, 0-5Vdc = 30K ohm
- ** Board jumper position = P1 to S2
- 3) 2-10Vdc, 0-10Vdc = 12K ohms
- ** Board jumper position = P1 to S3



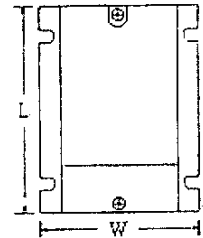
*For Line Run-Jump "M to +"
and remove the M Contactor

PTX Series

Three Phase, Phase Angle Control

Application- Variable Voltage Control of Transformer-Coupled and Inductive Loads.

Call us today @ 203-775-8444



Model Number	Full Load Amps	KVA @ Max Rated Volts	Open Chassis Dimensions (In inches)			Price
			Length	Width	Depth	
240 Vac Input, 0-230 Vac Output, 50/60 Hz (note-1)(ALSO FOR 208/220/230 VAC INPUT)						
PTX-2-20	20	8	8.0	5.5	5.7	\$580
PTX-2-30	30	12	8.0	5.5	5.7	\$686
PTX-2-50	50	20	8.0	5.5	5.7	\$950
PTX-2-75	75	30	8.0	5.5	8.0	\$1295
PTX-2-100	100	40	8.0	5.5	8.0	\$1445
PTX-2-125	125	50	13	5.5	8.0	\$1595
PTX-2-150	150	60	13	5.5	8.0	\$***
PTX-2-180	180	72	15	5.5	8.0	\$***
PTX-2-225	225	92	13	8.5	11	\$***
PTX-2-300	300	120	16	8.5	11	\$***
PTX-2-400	400	160	16	8.5	11	\$***
PTX-2-500	500	207	16	15	10	\$***
PTX-2-600	600	250	18	15	10	\$***
PTX-2-750	750	305	22	15	10	\$***
480 Vac Input, 0-460 Vac Output, 50/60 Hz (note-2)(ALSO FOR 380/415/440VAC INPUT)						
PTX-4-20	20	16	8.0	5.5	5.7	\$595
PTX-4-30	30	24	8.0	5.5	5.7	\$745
PTX-4-50	50	40	8.0	5.5	5.7	\$995
PTX-4-75	75	60	8.0	5.5	8.0	\$1349
PTX-4-100	100	80	8.0	5.5	8.0	\$1495
PTX-4-125	125	100	13	5.5	8.0	\$1695
PTX-4-150	150	120	13	5.5	8.0	\$***
PTX-4-180	180	140	15	5.5	8.0	\$***
PTX-4-225	225	180	13	8.5	11	\$***
PTX-4-300	300	240	16	8.5	11	\$***
PTX-4-400	400	320	16	8.5	11	\$***
PTX-4-500	500	415	16	15	10	\$***
PTX-4-600	600	490	18	15	10	\$***
PTX-4-750	750	610	22	15	10	\$***
*600 Vac Input, 0-595 Vac Output, 50/60 Hz *(ALSO FOR 575/590/600VAC INPUT)						
PTX-6-20	20	19	8.0	5.5	5.7	\$679
PTX-6-30	30	28	8.0	5.5	5.7	\$799
PTX-6-50	50	48	8.0	5.5	5.7	\$1099
PTX-6-75	75	73	8.0	5.5	8.0	\$1499
PTX-6-100	100	98	8.0	5.5	8.0	\$1699
PTX-6-125	125	120	13	5.5	8.0	\$1799
PTX-6-150	150	145	13	5.5	8.0	\$***
PTX-6-180	180	180	15	5.5	8.0	\$***
PTX-6-225	225	225	13	8.5	11	\$***
PTX-6-300	300	300	16	8.5	11	\$***
PTX-6-400	400	400	16	8.5	11	\$***
PTX-6-500	500	510	16	15	10	\$***
PTX-6-600	600	600	18	15	10	\$***
PTX-6-750	750	745	22	15	10	\$***

***Call us for Current Pricing. Add Options to the above models: Zero Soft Start time & IL-Current Limit. Incoming Main Line L1, L2 & L3 are fuse protected. All external required parts are customer provided. Non Standard units can be provided. We can build units from 24 to 1000Vac and up to 5,000 Amps.

1 Year Warranty on all standard units listed above. Controllers are only CE listed on some select models. See our web page warranty policy.

Also provided are frequencies up to 400 Hz. All prices listed, ratings, dimensions and warranty policy can change without notice.